

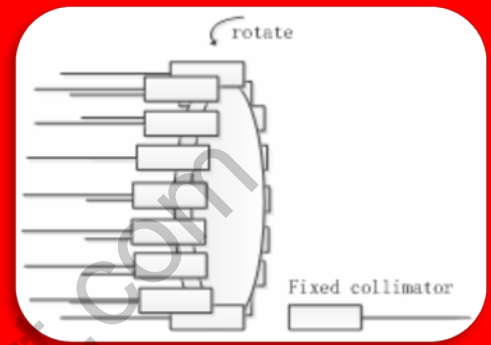


Features

- Up to 64 channels
- Low loss and high reliability
- Parallel interface (TTL,RS485,RS232)
- Modularized design
- Epoxy-free in optical path

Applications

- Ring network
- Remote monitoring in optical network
- Testing of fiber optical component

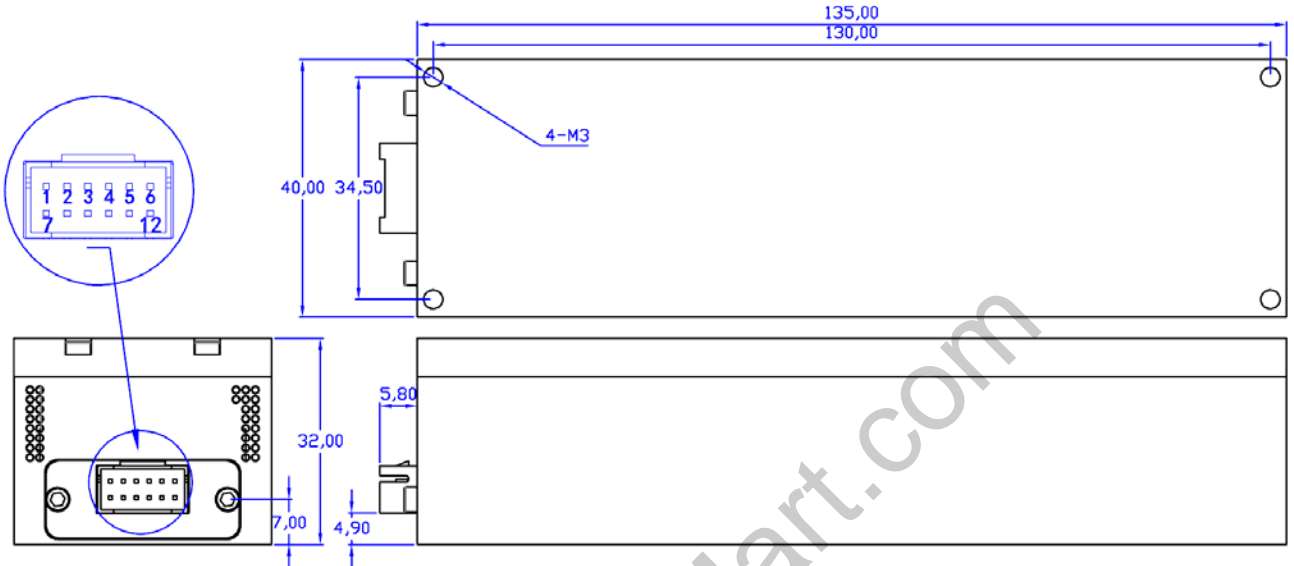


Specifications:

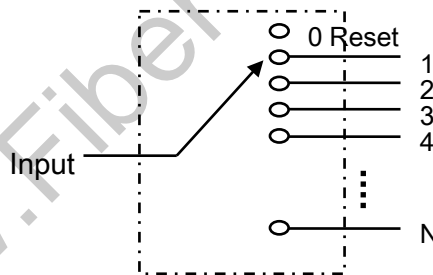
Parameters		OSW-1×N
Insertion loss	dB	1<N≤32 Typ:0.6 Max:1.2
Wavelength range	nm	532,650,780,850,980,1064,1260~1660
Testing wavelength	nm	532,650,780,850,980,1064,1310,1490,1550,1650
Return loss	dB	SM≥55
Crosstalk	dB	≥-80
PER	dB	≥18
WDL	dB	≤0.25
TDL	dB	≤0.30
Repeatability	dB	±0.05
Lifetime	cycle	3*10 ⁸
Optical input power	mW	≤1000
Switching time	ms	≤10 (Sequence switch time of adjacent channel)
Operating temperature	°C	-20~+70
Storage temperature	°C	-40~+85
Power supply		5 V / 1A
Dimensions	mm	135X40X32 (N<32)

Dimensions:

Type A(N ≤ 32)



Optical Route:



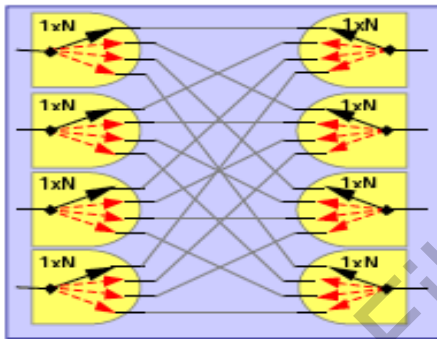
Pins:

Pin	I/O	SignalName	Description
1	Input	/RESET	TTL, Low level reset to channel 0. High level means channel selection bits are effective.
2	Input	D0	TTL , D0 is low, and D4 is high, Example : 00000b=1 CH ; 11111b=32 CH.
3	Input	D1	
4	Input	D2	
5	Input	D3	
6	Input	D4	
7	Out	/READY	TTL, Ready (High=Not ready, Low=Ready)
8	Out	ERROR	TTL, Error (High=Error, Low=No error)
9	Power in	GND	Ground
10	Power in	5V	5.0±5% VDC Power Supply (max 500mA)
11	S-	RS232(485)	RX (B)
12	S+	RS232(485)	TX (A)

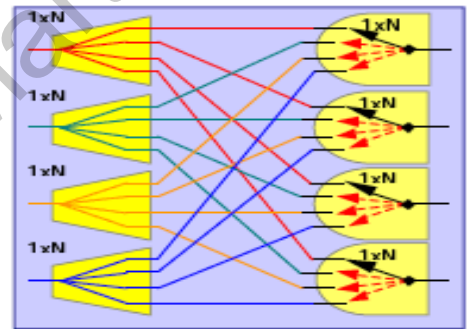
Ordering Information : OSW-1×N-A-B-C-D-E-F-G

N	A	B	C	D	E	F	G
	Fiber Type	Test Wavelength	sheath	Fiber Length	Connector	Control port	Size
1 ~ 64	SM: SM, 9/125 M5: MM50/125 M6: MM62.5/125 Hi:Hi1060 PM: PM fiber	850: 850nm 1310: 1310nm 1550: 1550nm 13/15:1310/1550nm 78:780	25:250um 90: 900um 20: 2.0mm FA: fiber array	05: 50±5cm 10: 100±5cm 15: 150±5cm	OO:None FP: FC/PC FA: FC/APC SP: SC/PC SA: SC/APC LP: LC/PC LA: LC/APC ST:ST/PC	01: TTL+RS232 02:TTL+RS485 03:USB	A:135X40 X32 B:135X64 X32

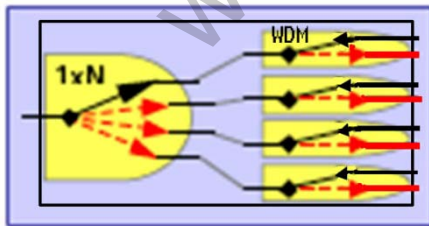
Flexible Architectures



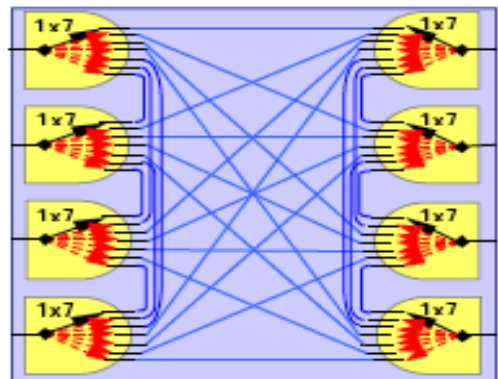
NXN Directional Matrix (Non-blocking OXC)



NXN Distributive Matrix (Broadcast Switch)



Optical Switch +WDM (Hybrid device)



Flex port Matrix (Any port to Any Port)